

## GENERAL

The use of corrosion coupons is the most common method of measuring internal corrosion, and is critical to establishing a monitoring baseline.

The strip coupon holder is the most common configuration of coupon holders and allows for the mounting of strip coupons either as a pair of strip coupons or a single strip coupon. With the use of the Caproco access fitting, retriever and service valve, the strip coupon holder allows for easy, rapid changing of coupons without system shutdown.

Ideal for locations where pigging or flow disturbance is not a concern, strip coupon holders can be mounted to allow for monitoring at top, middle or bottom of line positions or in liquid trap assemblies.

## APPLICATION

The strip coupon holder attaches to the bottom of the Caproco solid plug assembly. A left-handed thread connection ensures that the holder cannot come loose when the plug is unscrewed from the access fitting. The holder replaces the packing retaining nut on the solid plug, retaining the packing as well as holding the coupons in the desired monitoring position.

Although normally mounted at the top of the line, access fittings can be located at any line position (0° - 360°), with a holder of suitable length positioning the coupons in the desired monitoring location. The access fitting may be used on the bottom of the line as a liquid trap assembly for monitoring of bottom line conditions. When positioning the access fitting on any orientation around the pipe, consideration must be given to providing adequate clearance for the use of both retriever and service valve.

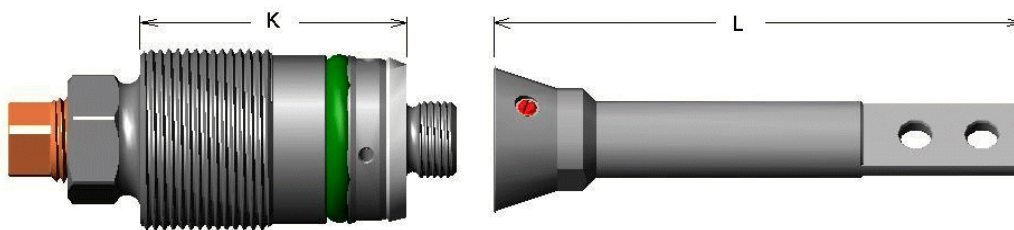
One advantage of the Caproco strip coupon holder design is its one-piece construction. Some designs in the market consist of a body welded to a head, which can be susceptible to operating conditions and may eventually separate.

The Caproco strip coupon holder is supplied complete with mounting hardware. Coupon insulation but comes pre-installed on the coupons.

## SPECIFICATIONS

Caproco strip coupon holders are manufactured from 316 stainless steel. All mounting hardware and set screws are made from stainless steel.

Maximum Operating Pressure	3,600 psi (24.8 MPa)
Maximum Operating Temperature	500°F (260°C)



## ORDERING INFORMATION

To calculate the coupon holder length required (**L**), use the key on the following page, selecting the desired location of the coupons.

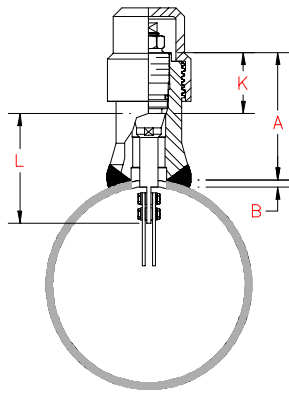
### Notes:

**K** = Plug dimension from top of external threads to bottom of primary packing = 2½" (63.5 mm).

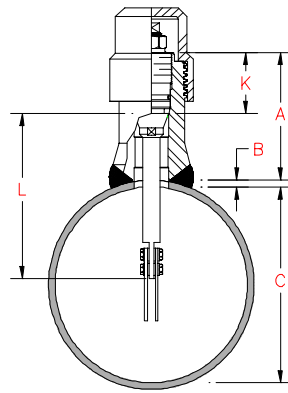
Extension of coupon into system beyond pipe or vessel wall =  $L + K + F - [A + B + 1\frac{1}{4}" (31.8 \text{ mm})]$ .

Standard coupon, when fitted, extends 1¾" (44.5 mm) beyond end of coupon holder.

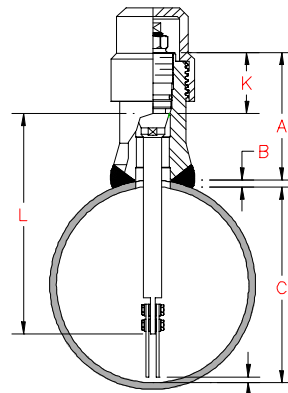
In water systems the whole of the coupon should be in the flow.



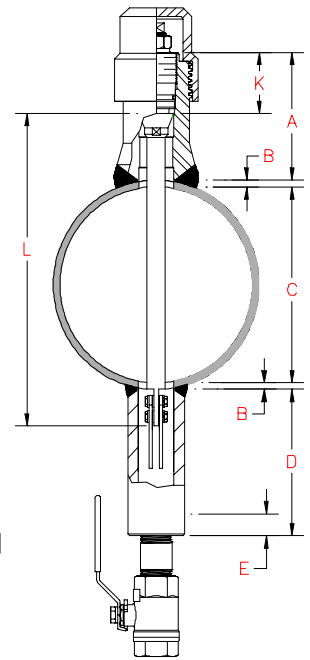
**Top Of Line**



**Middle Of Line**



**Bottom Of Line**



**Liquid Trap**

Half in Flow:  
 $L = A + B - [F/2 + 1/4"] (31.8\text{mm})$

Centered in Flow:  
 $L = A + B + 1/2 C - [F/2 + 1/4"] (31.8\text{mm})$

Extended to 1/4" (6.4mm) Above Bottom Of Line:  
 $L = A + B + C - [F + 1/2"] (38.1\text{mm})$

All in Flow:  
 $L = A + B - 1" (25.4\text{mm})$

Note: For lines larger than 12", subtract an additional 1/4" (6.4mm)

<p><b>A</b> = Access Fitting Top (cover off) to External Pipe / Vessel Wall</p> <p><b>B</b> = Pipe or Vessel Wall Thickness</p> <p><b>C</b> = Actual (not nominal) Pipe I.D.</p> <p><b>D*</b> = Distance From External Pipe / Vessel Wall to Bottom of Trap</p> <p><b>E*</b> = Trap Bottom Wall Thickness</p> <p><b>F</b> = Coupon Length (standard length is 3" (76.2mm))</p> <p>* Required for Installations into Traps only</p>	<p>Desired Coupon Position:</p> <ul style="list-style-type: none"> <li>-Top of Line, Half in Flow</li> <li>-Top of Line, All in Flow</li> <li>-Centered in Middle of Line</li> <li>-Extended to 1/4" (6.4mm) above Bottom of Line</li> <li>-Whole of Coupon in Top of Trap</li> <li>-Extended to 1/2" (12.7mm) above Bottom of Trap</li> </ul>
--	--

Whole of Coupon in Top of Trap:  
 $L = A + 2 B + C - 1" (25.4\text{mm})$   
 Note: Trap must be long enough to accommodate coupon

Coupon 1/2" (12.7mm) above Bottom of Trap:  
 $L = A + 2 B + C + D - [E + F + 1/4"] (44.5\text{mm})$

### Strip Coupon Holder Selection Chart

Length Inches	Part mm	Part Number	Length Inches	Part mm	Part Number	Length Inches	Part mm	Part Number	Length Inches	Part mm	Part Number	Length Inches	Part mm	Part Number
2 3/4	69.9	10176												
3	76.2	10177	8	203.2	10197	13	330.2	10217	18	457.2	10237	23	584.2	10257
3 1/4	82.6	10178	8 1/4	209.6	10198	13 1/4	336.6	10218	18 1/4	463.6	10238	23 1/4	590.6	10258
3 1/2	88.9	10179	8 1/2	215.9	10199	13 1/2	342.9	10219	18 1/2	469.9	10239	23 1/2	596.9	10259
3 3/4	95.3	10180	8 3/4	222.3	10200	13 3/4	349.3	10220	18 3/4	476.3	10240	23 3/4	603.3	10260
4	101.6	10181	9	228.6	10201	14	355.6	10221	19	482.6	10241	24	609.6	10261
4 1/4	108.0	10182	9 1/4	235.0	10202	14 1/4	362.0	10222	19 1/4	489.0	10242	24 1/4	616.0	10262
4 1/2	114.3	10183	9 1/2	241.3	10203	14 1/2	368.3	10223	19 1/2	495.3	10243	24 1/2	622.3	10263
4 3/4	120.7	10184	9 3/4	247.7	10204	14 3/4	374.7	10224	19 3/4	501.7	10244	24 3/4	628.7	10264
5	127.0	10185	10	254.0	10205	15	381.0	10225	20	508.0	10245	25	635.0	10265
5 1/4	133.4	10186	10 1/4	260.4	10206	15 1/4	387.4	10226	20 1/4	514.4	10246			
5 1/2	139.7	10187	10 1/2	266.7	10207	15 1/2	393.7	10227	20 1/2	520.7	10247			
5 3/4	146.1	10188	10 3/4	273.1	10208	15 3/4	400.1	10228	20 3/4	527.1	10248			
6	152.4	10189	11	279.4	10209	16	406.4	10229	21	533.4	10249			
6 1/4	158.8	10190	11 1/4	285.8	10210	16 1/4	412.8	10230	21 1/4	539.8	10250			
6 1/2	165.1	10191	11 1/2	292.1	10211	16 1/2	419.1	10231	21 1/2	546.1	10251			
6 3/4	171.5	10192	11 3/4	298.5	10212	16 3/4	425.5	10232	21 3/4	552.5	10252			
7	177.8	10193	12	304.8	10213	17	431.8	10233	22	558.8	10253			
7 1/4	184.2	10194	12 1/4	311.2	10214	17 1/4	438.2	10234	22 1/4	565.2	10254			
7 1/2	190.5	10195	12 1/2	317.5	10215	17 1/2	444.5	10235	22 1/2	571.5	10255			
7 3/4	196.9	10196	12 3/4	323.9	10216	17 3/4	450.9	10236	22 3/4	577.9	10256			

HOLDERS OF ANY LENGTH OR MATERIAL AVAILABLE UPON REQUEST

SPARE PARTS: MOUNTING HARDWARE SET (P/N 10647) - ONE SET SUPPLIED WITH EACH HOLDER.