

## GENERAL

Caproco offers a range of high quality, high integrity electrical resistance probes which provide an accurate electronic measurement of the corrosion rate.

Caproco flanged ER probes are available in Tubular, Wire Loop, Tube Loop or Flush Mounting element designs. The probe body is welded into the flange, exposing the element to the corrosive media and leaving the electrical connection easily accessible to take readings.

## APPLICATION

Flanged probes are designed to be used in systems where change-out under pressure is not required. The system must be depressurized to install and/or service the probe, but readings can be taken from the probe without process interruption. A fixed flanged probe is recommended when the desired access to the system is through an existing flanged fitting, or where access space is limited.

## SPECIFICATIONS

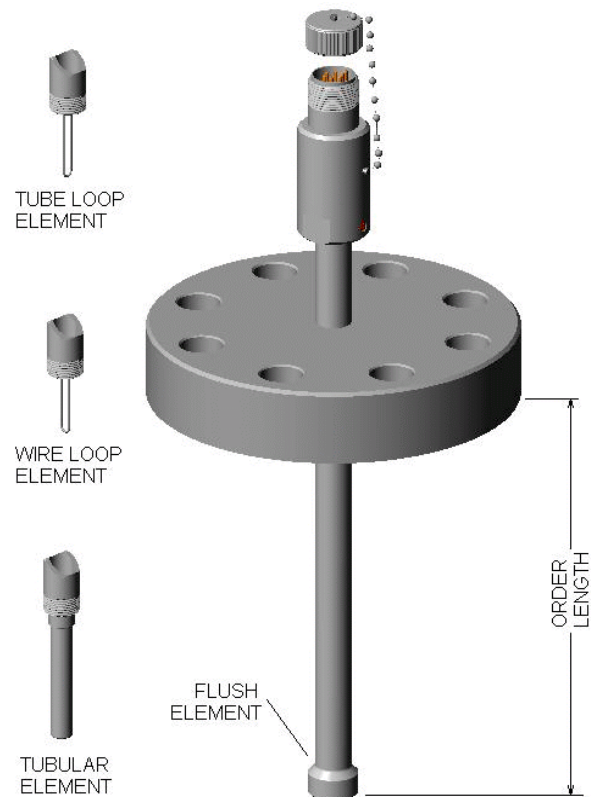
Caproco ER probes are manufactured from 316 stainless steel with an AISI 1018 mild steel element. Probe bodies and elements are available in alternative materials upon request.

Flanges are available in Raised Face (RF) and Ring-Type-Joint (RTJ) configurations, and meet ANSI or API specifications. They are available in stainless steel, carbon steel or alternative materials. Flanges with special requirements can be machined to customer specification.

**PROBE SEALING** Element and connector pins hermetically sealed using high integrity glass ceramic seals.

**ENCAPSULATION** Two part loaded resin with excellent thermal, electrical and mechanical properties.

**CONNECTION** Interfaces with the Caproco ER Analyzer and most other commercial ER monitoring instrumentation, via a MIL standard 6 pin receptacle.



PROBE LENGTH IS MEASURED FROM SEALING FACE OF FLANGE TO ELEMENT END

## Caproco ER Flanged Probes

### Element Selection Information

Probe Type	Tubular			Wire Loop		Tube Loop		Flush	
Element	T10	T20	T50	W40	W80	TL4	TL8	F10	F20
<b>Element Length</b>	2" (51 mm)	2" & 4" (51 & 102 mm)	10" (254 mm)	1.25" (32 mm)	1.25" (32 mm)	1.25" (32 mm)	1.25" (32 mm)		
<b>Element Thickness</b>	0.010" (0.25 mm)	0.020" (0.50 mm)	0.050" (1.27 mm)	0.040" (1 mm)	0.080" (2 mm)	0.040" (1 mm)	0.080" (2 mm)	0.010" (0.25 mm)	0.020" (0.50 mm)
<b>Maximum Operating Pressure</b>	3,600 / 6,000 psi (24.8 / 41.4 MPa)								
<b>Maximum Operating Temperature</b>	500°F (260°C)								

CONTACT CAPROCO FOR OPTIONS ON PROBE TYPE AND SIZING