

GENERAL

Caproco offers a range of high quality, high integrity electrical resistance probes which utilize a tube loop element configuration to measure the rate of corrosion.

The element is comprised of a hollow single length of tube, which overcomes any requirement of welding the element. Resistance readings from the sensing element are relative to a non-corroding reference element sealed within the probe body.

APPLICATION

The tube loop design is the most sensitive of the ER probes, and is able to quickly detect changes, even with a low rate of corrosion. Two sizes of elements are available to suit requirements regarding sensitivity and desired probe life.

The fixed style probe must be used in systems which can be depressurized for insertion and removal.

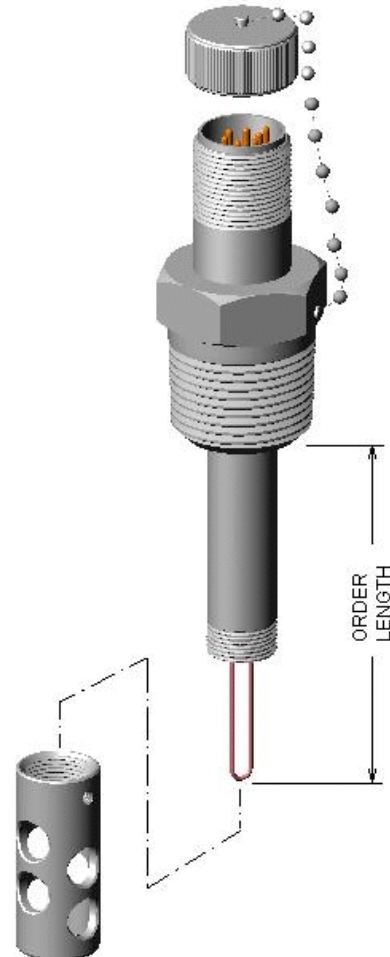
SPECIFICATIONS

Caproco ER probes are manufactured from 316 stainless steel with an AISI 1018 mild steel element. Probe bodies and elements are available in alternative materials upon request.

Element Length	1.25" (32 mm)
Element Thickness	TL4 0.040" (1 mm) TL8 0.080" (2 mm)
Maximum Operating Pressure	3,600 / 6,000 psi (24.8 / 41.4 Mpa)
Maximum Operating Temperature	500°F (260°C)

Caproco fixed probes are designed for mounting through a standard thread-o-let fitting, available in ¾", 1", 1½" and 2" NPT configurations.

PROBE SEALING	Element and connector pins hermetically sealed using high integrity glass ceramic seals.
Encapsulation	Two part loaded resin with excellent thermal, electrical and mechanical properties.
CONNECTION	Interfaces with the Caproco ER Analyzer and most other commercial ER monitoring instrumentation, via a MIL standard 6 pin receptacle.



PROBE LENGTH IS MEASURED FROM THE START OF THE NPT THREAD TO THE END OF THE SENSING ELEMENT

TUBULAR FIXED ER PROBES			
LENGTH		TL 4 ELEMENT	TL 8 ELEMENT
(INCHES)	(MM)	PART NUMBERS	PART NUMBERS
		3/4" NPT	3/4" NPT
4.00	102	93408	93508
4.25	108	93409	93509
4.50	114	93410	93510
4.75	121	93411	93511
5.00	127	93412	93512
5.25	133	93413	93513
5.50	140	93414	93514
5.75	146	93415	93515
6.00	152	93416	93516
6.25	159	93417	93517
6.50	165	93418	93518
6.75	171	93419	93519
7.00	178	93420	93520
7.25	184	93421	93521
7.50	191	93422	93522
7.75	197	93423	93523
8.00	203	93424	93524
8.25	210	93425	93525
8.50	216	93426	93526
8.75	222	93427	93527
9.00	229	93428	93528

OPTIONAL FLOW DEFLECTOR P/N 99009

CONTACT CAPROCO FOR SIZING AND PART NUMBERS FOR 1", 1 1/2" & 2" PROBES