

GENERAL

Caproco offers a range of high quality, high integrity electrical resistance probes which utilize a tubular element configuration to measure the rate of corrosion.

The element is comprised of a thin walled tube, machined from a single length of bar, which overcomes any requirement of welding the element. Resistance readings from the sensing element are relative to a non-corroding reference element sealed within the probe body.

APPLICATION

Three probe designs utilizing elements of varying thickness permit usage in diverse situations, particularly where the probe's robust nature and large surface area is required for sensitive monitoring.

The fixed style probe must be used in systems which can be depressurized for insertion and removal.

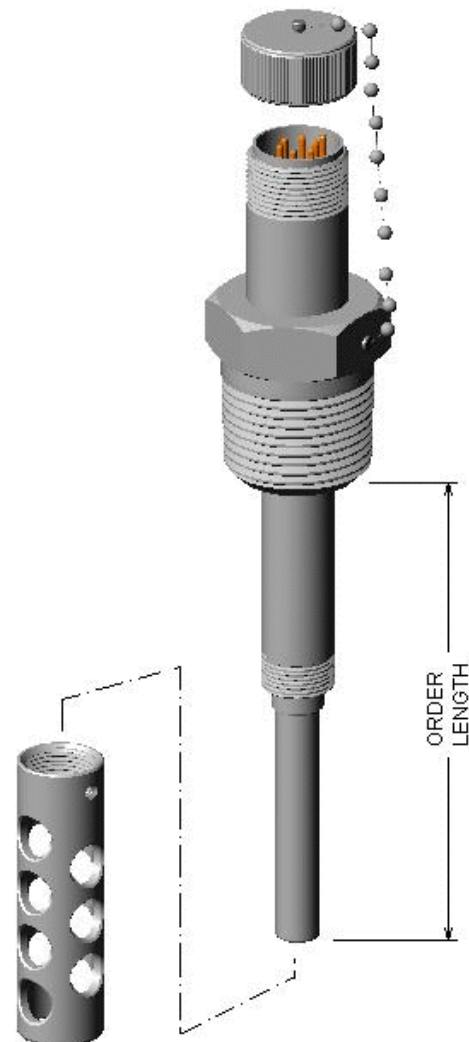
SPECIFICATIONS

Caproco ER probes are manufactured from 316 stainless steel with an AISI 1018 mild steel element. Probe bodies and elements are available in alternative materials upon request.

Probe Type	T10	T20	T50
Element Length	2" (51 mm)	2" & 4" (51 & 102 mm)	10" (254 mm)
Element Thickness	0.010" (0.25 mm)	0.020" (0.50 mm)	0.050" (1.27 mm)
Maximum Operating Pressure	3,600 / 6,000 psi (24.8 / 41.4 Mpa)		
Maximum Operating Temperature	500°F (260°C)		

Caproco fixed probes are designed for mounting through a standard thread-o-let fitting, available in 3/4", 1", 1 1/2" and 2" NPT configurations.

PROBE SEALING	Element and connector pins hermetically sealed using high integrity glass ceramic seals.
Encapsulation	Two part loaded resin with excellent thermal, electrical and mechanical properties.
CONNECTION	Interfaces with the Caproco ER Analyzer and most other commercial ER monitoring instrumentation, via a MIL standard 6 pin receptacle.



PROBE LENGTH IS MEASURED FROM THE START OF THE NPT THREAD TO THE END OF THE SENSING ELEMENT

TUBULAR FIXED ER PROBES							
3/4" NPT				1" NPT			
LENGTH		T10	T20	LENGTH		T10	T20
(INCHES)	(MM)	(STANDARD 2" ELEMENT)	(STANDARD 4" ELEMENT)	(INCHES)	(MM)	(STANDARD 2" ELEMENT)	(STANDARD 4" ELEMENT)
2.50	64	90400		2.50	64	90450	
3.00	76	90401		3.00	76	90451	
3.50	89	90402		3.50	89	90452	
4.00	102	90403		4.00	102	90453	
4.50	114	90404	90500	4.50	114	90454	90550
5.00	127	90405	90501	5.00	127	90455	90551
5.50	140	90406	90502	5.50	140	90456	90552
6.00	152	90407	90503	6.00	152	90457	90553
6.50	165	90408	90504	6.50	165	90458	90554
7.00	178	90409	90505	7.00	178	90459	90555
7.50	191	90410	90506	7.50	191	90460	90556
8.00	203	90411	90507	8.00	203	90461	90557
8.50	216	90412	90508	8.50	216	90462	90558
9.00	229	90413	90509	9.00	229	90463	90559
9.50	241	90414	90510	9.50	241	90464	90560
10.00	254	90415	90511	10.00	254	90465	90561
10.50	267	90416	90512	10.50	267	90466	90562
11.00	279	90417	90513	11.00	279	90467	90563
11.50	292	90418	90514	11.50	292	90468	90564
12.00	305	90419	90515	12.00	305	90469	90565
12.50	318	90420	90516	12.50	318	90470	90566
13.00	330	90421	90517	13.00	330	90471	90567
13.50	343	90422	90518	13.50	343	90472	90568
14.00	356	90423	90519	14.00	356	90473	90569
14.50	368	90424	90520	14.50	368	90474	90570
15.00	381	90430	90521	15.00	381	90475	90571
15.50	394	90431	90522	15.50	394	90476	90572
16.00	406	90432	90523	16.00	406	90477	90573
16.50	419	90433	90524	16.50	419	90478	90574
17.00	432	90434	90525	17.00	432	90479	
17.50	445	90435	90526	17.50	445	90480	
18.00	457	90436	90527	18.00	457	90481	
18.50	470	90437	90528	18.50	470	90482	
19.00	483	90438	90529	19.00	483	90483	
19.50	495	90439	90530	19.50	495	90484	
OPTIONAL FLOW DEFLECTOR		99008	99007	OPTIONAL FLOW DEFLECTOR		99008	99007

**CONTACT CAPROCO FOR SIZING AND PART NUMBERS FOR 1 1/2" & 2" PROBES
AND SIZING FOR ALL T50 PROBES**