

GENERAL

Caproco offers a range of high quality, high integrity electrical resistance probes which utilize a wire loop element configuration to measure the rate of corrosion.

The element is comprised of a thin solid single length of wire, which overcomes any requirement of welding the element. Resistance readings from the sensing element are relative to a non-corroding reference element sealed within the probe body.

APPLICATION

The wire loop design is highly sensitive and performs well in locations subject to electrical or system noise. Element thickness offers longer probe life compared to other types. Two sizes of elements are available to suit requirements regarding sensitivity and desired probe life.

The fixed style probe must be used in systems which can be depressurized for insertion and removal.

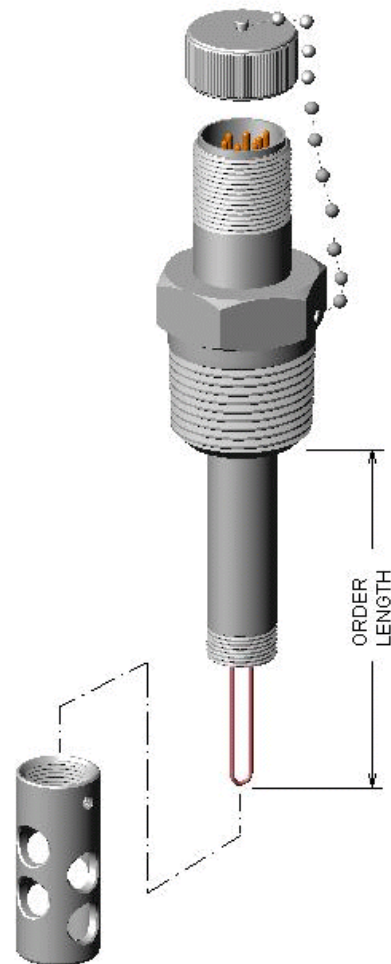
SPECIFICATIONS

Caproco ER probes are manufactured from 316 stainless steel with an AISI 1018 mild steel element. Probe bodies and elements are available in alternative materials upon request.

Element Length	1.25" (32 mm)
Element Thickness	W40 0.040" (1 mm) W80 0.080" (2 mm)
Maximum Operating Pressure	3,600 / 6,000 psi (24.8 / 41.4 MPa)
Maximum Operating Temperature	500°F (260°C)

Caproco fixed probes are designed for mounting through a standard thread-o-let fitting, available in 3/4", 1", 1 1/2" and 2" NPT configurations.

PROBE SEALING	Element and connector pins hermetically sealed using high integrity glass ceramic seals.
Encapsulation	Two part loaded resin with excellent thermal, electrical and mechanical properties.
CONNECTION	Interfaces with the Caproco ER Analyzer and most other commercial ER monitoring instrumentation, via a MIL standard 6 pin receptacle.



PROBE LENGTH IS MEASURED FROM THE START OF THE NPT THREAD TO THE END OF THE SENSING ELEMENT

WIRE LOOP FIXED ER PROBES				
ELEMENT TYPE - W40				
LENGTH		PART NUMBERS		
(INCHES)	(MM)	¾" NPT	1" NPT	1½" NPT
4.00	102	91412	91500	91550
4.25	108	91413	91501	91551
4.50	114	91414	91502	91552
4.75	121	91415	91503	91553
5.00	127	91416	91504	91554
5.25	133	91417	91505	91555
5.50	140	91418	91506	91556
5.75	146	91419	91507	91557
6.00	152	91420	91508	91558
6.25	159	91421	91509	91559
6.50	165	91422	91510	91560
6.75	171	91423	91511	91561
7.00	178	91424	91512	91562
7.25	184	91425	91513	91563
7.50	191	91426	91514	91564
7.75	197	91427	91515	91565
8.00	203	91428	91516	91566
8.25	210	91429	91517	91567
8.50	216	91430	91518	91568
8.75	222	91431	91519	91569
9.00	229	91432	91520	91570
9.25	235	91433	91521	91571
9.50	241	91434	91522	91572
9.75	248	91435	91523	91573
10.00	254	91436	91524	91574
10.25	260	91437	91525	91575
10.50	267	91438	91526	91576
10.75	273	91439	91527	91577
11.00	279	91440	91528	91578
11.25	286	91441	91529	91579
11.50	292	91442	91530	91580
11.75	298	91443	91531	91581
12.00	305	91443	91443	91443

OPTIONAL FLOW DEFLECTOR P/N 99009

W80 PROBES ARE AVAILABLE IN THE SAME SIZING AS W40

CONTACT CAPROCO FOR SIZING AND PART NUMBERS FOR 2" PROBES