

GENERAL

Caproco offers a range of high quality, high integrity electrical resistance probes which utilize a tube loop element configuration to measure the rate of corrosion.

The element is comprised of a hollow single length of tube, which overcomes any requirement of welding the element. Resistance readings from the sensing element are relative to a non-corroding reference element sealed within the probe body.

APPLICATION

The tube loop design is the most sensitive of the ER probes, and is able to quickly detect changes, even with a low rate of corrosion. Two sizes of elements are available to suit requirements regarding sensitivity and desired probe life.

SPECIFICATIONS

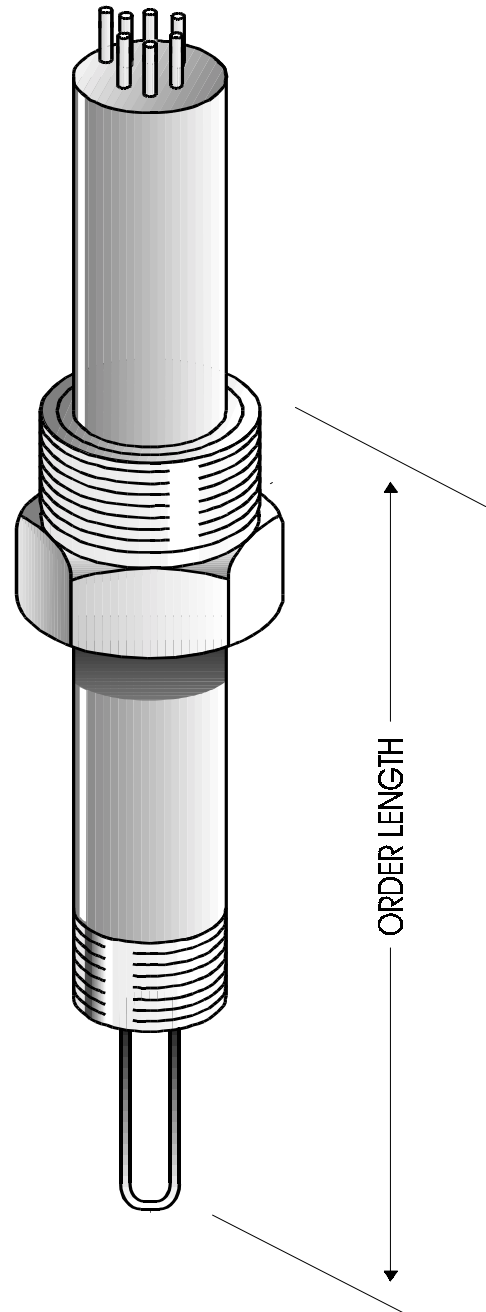
Caproco ER probes are manufactured from 316 stainless steel with an AISI 1018 mild steel element. Probe bodies and elements are available in alternative materials upon request. Standard probes are designed for mounting through a Caproco Hollow Plug assembly.

Element Length	1.25" (32 mm)
Element Thickness	TL4 0.040" (1 mm) TL8 0.080" (2 mm)
Maximum Operating Pressure	3,600 / 6,000 psi (24.8 / 41.4 Mpa)
Maximum Operating Temperature	500°F (260°C)

PROBE SEALING Element and connector pins hermetically sealed using high integrity glass ceramic seals.

ENCAPSULATION Two part loaded resin with excellent thermal, electrical and mechanical properties.

Connection Interfaces with the Caproco ER Analyzer and most other commercial ER monitoring instrumentation, via a MIL standard 6 pin receptacle.



PROBE LENGTH IS MEASURED FROM SEALING FACE OF PROBE BODY THREADS TO ELEMENT END

TUBE LOOP RETRIEVABLE ER PROBES					
ELEMENT TYPE - TL 4 ELEMENT MATERIAL - 1018CS			ELEMENT TYPE - TL 8 ELEMENT MATERIAL - 1018CS		
LENGTH		PART NUMBER	LENGTH		PART NUMBER
(INCHES)	(MM)		(INCHES)	(MM)	
2.75"	70	93200	2.75"	70	93300
3.00"	76	93201	3.00"	76	93301
3.25"	83	93202	3.25"	83	93302
3.50"	89	93203	3.50"	89	93303
3.75"	95	93204	3.75"	95	93304
4.00"	102	93205	4.00"	102	93305
4.25"	108	93206	4.25"	108	93306
4.50"	114	93207	4.50"	114	93307
4.75"	121	93208	4.75"	121	93308
5.00"	127	93209	5.00"	127	93309
5.25"	133	93210	5.25"	133	93310
5.50"	140	93211	5.50"	140	93311
5.75"	146	93212	5.75"	146	93312
6.00"	152	93213	6.00"	152	93313
6.25"	159	93214	6.25"	159	93314
6.50"	165	93215	6.50"	165	93315
6.75"	171	93216	6.75"	171	93316
7.00"	178	93217	7.00"	178	93317
7.25"	184	93218	7.25"	184	93318
7.50"	191	93219	7.50"	191	93319
7.75"	197	93220	7.75"	197	93320
8.00"	203	93221	8.00"	203	93321
8.25"	210	93222	8.25"	210	93322
8.50"	216	93223	8.50"	216	93323
8.75"	222	93224	8.75"	222	93324
9.00"	229	93225	9.00"	229	93325
9.25"	235	93226	9.25"	235	93326
9.50"	241	93227	9.50"	241	93327
9.75"	248	93228	9.75"	248	93328
10.00"	254	93229	10.00"	254	93329
10.25"	260	93230	10.25"	260	93330
10.50"	267	93231	10.50"	267	93331
10.75"	273	93232	10.75"	273	93332
11.00"	279	93233	11.00"	279	93333
11.25"	286	93234	11.25"	286	93334
11.50"	292	93235	11.50"	292	93335
11.75"	298	93236	11.75"	298	93336
12.00"	305	93237	12.00"	305	93337

OPTIONAL FLOW DEFLECTOR P/N 99009