

GENERAL

Caproco offers a range of high quality, high integrity electrical resistance probes which utilize a tubular element configuration to measure the rate of corrosion.

The element is comprised of a thin walled tube, machined from a single length of bar, which overcomes any requirement of welding the element. Resistance readings from the sensing element are relative to a non-corroding reference element sealed within the probe body.

APPLICATION

Three probe designs utilizing elements of varying thickness permit usage in diverse situations, particularly where the probe's robust nature and large surface area is required for sensitive monitoring.

SPECIFICATIONS

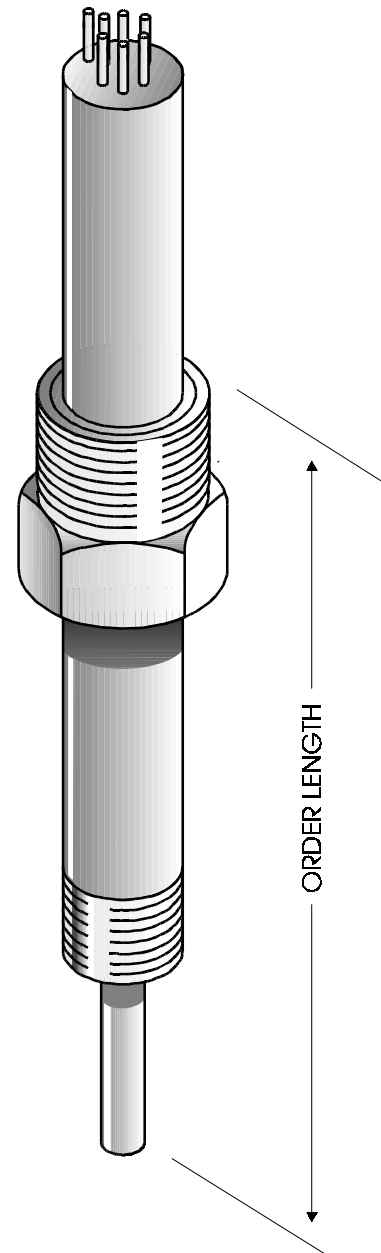
Caproco ER probes are manufactured from 316 stainless steel with an AISI 1018 mild steel element. Probe bodies and elements are available in alternative materials upon request. Standard probes are designed for mounting through a Caproco Hollow Plug assembly.

Probe Type	T10	T20	T50
Element Length	2" (51 mm)	2" & 4" (51 & 102 mm)	10" (254 mm)
Element Thickness	0.010" (0.25 mm)	0.020" (0.50 mm)	0.050" (1.27 mm)
Maximum Operating Pressure	3,600 / 6,000 psi (24.8 / 41.4 Mpa)		
Maximum Operating Temperature	500°F (260°C)		

PROBE SEALING Element and connector pins hermetically sealed using high integrity glass ceramic seals.

ENCAPSULATION Two part loaded resin with excellent thermal, electrical and mechanical properties.

CONNECTION Interfaces with the Caproco ER Analyzer and most other commercial ER monitoring instrumentation, via a MIL standard 6 pin receptacle.



PROBE LENGTH IS MEASURED FROM SEALING FACE OF PROBE BODY THREADS TO ELEMENT END

TUBULAR RETRIEVABLE ER PROBES			
LENGTH		PART NUMBERS	
(INCHES)	(MM)	T10 (2"/51mm) Element	T20 (4"/102mm) Element
3.25	83	90200	
3.50	89	90201	
3.75	95	90202	
4.00	102	90203	
4.25	108	90204	
4.50	114	90205	
4.75	121	90206	
5.00	127	90207	
5.25	133	90208	90300
5.50	140	90209	90301
5.75	146	90210	90302
6.00	152	90211	90303
6.25	159	90212	90304
6.50	165	90213	90305
6.75	171	90214	90306
7.00	178	90215	90307
7.25	184	90216	90308
7.50	191	90217	90309
7.75	197	90218	90310
8.00	203	90219	90311
8.25	210	90220	90312
8.50	216	90221	90313
8.75	222	90222	90314
9.00	229	90223	90315
9.25	235	90224	90316
9.50	241	90225	90317
9.75	248	90226	90318
10.00	254	90227	90319
10.25	260	90228	90320
10.50	267	90229	90321
10.75	273	90230	90322
11.00	279	90231	90323
11.25	286	90232	90324
11.50	292	90233	90325
11.75	298	90234	90326
12.00	305	90235	90327
Optional Flow Deflector		99008	99007

T50 PROBES ARE AVAILABLE IN 15.25" (387MM) LENGTHS AND LONGER.

CONTACT CAPROCO FOR SIZING AND PART NUMBER INFORMATION.