

### GENERAL

Caproco offers a range of high quality, high integrity electrical resistance probes which utilize a wire loop element configuration to measure the rate of corrosion.

The element is comprised of a thin solid single length of wire, which overcomes any requirement of welding the element. Resistance readings from the sensing element are relative to a non-corroding reference element sealed within the probe body.

### APPLICATION

The wire loop design is highly sensitive and performs well in locations subject to electrical or system noise. Element thickness offers longer probe life compared to other types. Two sizes of elements are available to suit requirements regarding sensitivity and desired probe life.

### SPECIFICATIONS

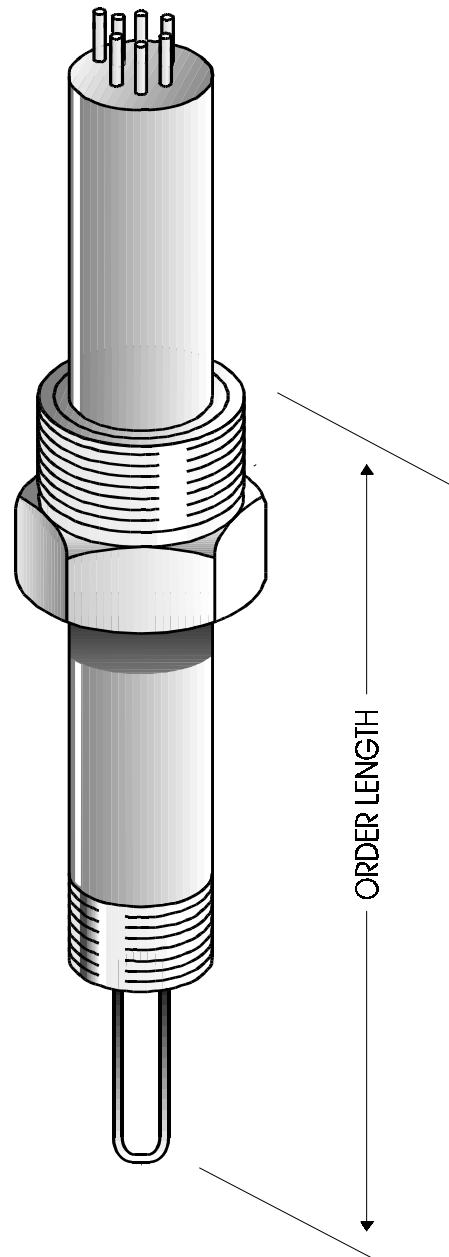
Caproco ER probes are manufactured from 316 stainless steel with an AISI 1018 mild steel element. Probe bodies and elements are available in alternative materials upon request. Standard probes are designed for mounting through a Caproco Hollow Plug assembly.

Element Length	1.25" (32 mm)
Element Thickness	W40 0.040" (1 mm) W80 0.080" (2 mm)
Maximum Operating Pressure	3,600 / 6,000 psi (24.8 / 41.4 MPa)
Maximum Operating Temperature	500°F (260°C)

**PROBE SEALING** Element and connector pins hermetically sealed using high integrity glass ceramic seals.

**ENCAPSULATION** Two part loaded resin with excellent thermal, electrical and mechanical properties.

**CONNECTION** Interfaces with the Caproco ER Analyzer and most other commercial ER monitoring instrumentation, via a MIL standard 6 pin receptacle.



**PROBE LENGTH IS MEASURED FROM SEALING FACE OF PROBE BODY THREADS TO ELEMENT END**

<b>WIRE LOOP RETRIEVABLE ER PROBES</b>					
<b>ELEMENT TYPE - W40</b>					
<b>LENGTH</b>		<b>PART NUMBER</b>	<b>LENGTH</b>		<b>PART NUMBER</b>
<b>(INCHES)</b>	<b>(MM)</b>		<b>(INCHES)</b>	<b>(MM)</b>	
2.75"	70	91200	7.50"	191	91219
3.00"	76	91201	7.75"	197	91220
3.25"	83	91202	8.00"	203	91221
3.50"	89	91203	8.25"	210	91222
3.75"	95	91204	8.50"	216	91223
4.00"	102	91205	8.75"	222	91224
4.25"	108	91206	9.00"	229	91225
4.50"	114	91207	9.25"	235	91226
4.75"	121	91208	9.50"	241	91227
5.00"	127	91209	9.75"	248	91228
5.25"	133	91210	10.00"	254	91229
5.50"	140	91211	10.25"	260	91230
5.75"	146	91212	10.50"	267	91231
6.00"	152	91213	10.75"	273	91232
6.25"	159	91214	11.00"	279	91233
6.50"	165	91215	11.25"	286	91234
6.75"	171	91216	11.50"	292	91235
7.00"	178	91217	11.75"	298	91236
7.25"	184	91218	12.00"	305	91237

**OPTIONAL FLOW DEFLECTOR P/N 99009**

**W80 PROBES ARE AVAILABLE IN THE SAME SIZING AS W40**