

GENERAL

Caproco offers a range of high quality, high integrity electrical resistance probes which utilize a tube loop element configuration to measure the rate of corrosion.

The element is comprised of a hollow single length of tube, which overcomes any requirement of welding the element. Resistance readings from the sensing element are relative to a non-corroding reference element sealed within the probe body.

APPLICATION

The tube loop design is the most sensitive of the ER probes, and is able to quickly detect changes, even with a low rate of corrosion. Two sizes of elements are available to suit requirements regarding sensitivity and desired probe life.

SPECIFICATIONS

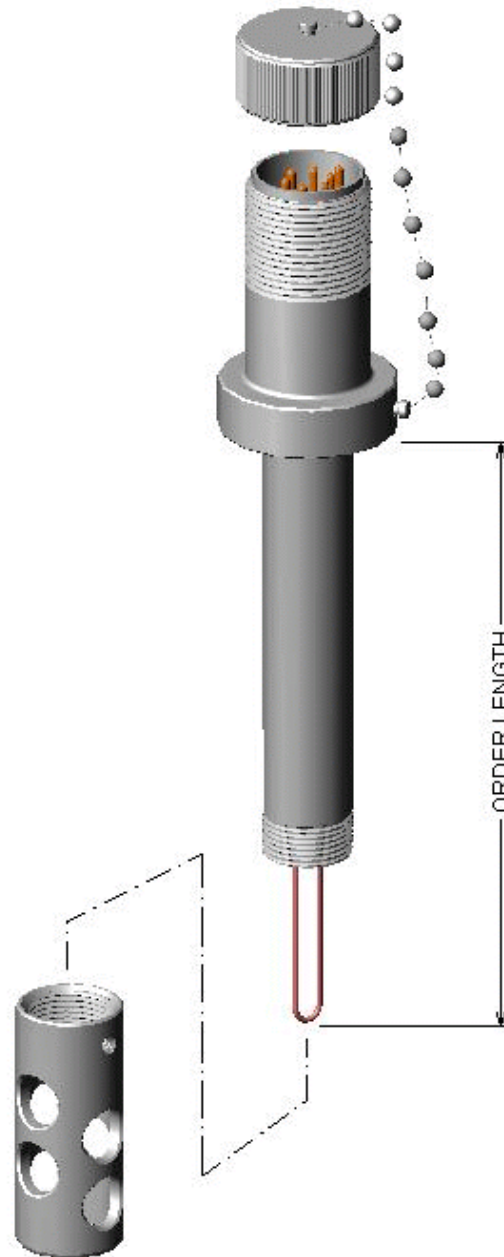
Caproco ER probes are manufactured from 316 stainless steel with an AISI 1018 mild steel element. Probe bodies and elements are available in alternative materials upon request. Standard probes are designed for mounting through a Caproco low pressure stuffing box / access fitting assembly.

Element Length	1.25" (32 mm)
Element Thickness	TL4 0.040" (1 mm) TL8 0.080" (2 mm)
Maximum Operating Pressure	1,500 psi (10.3 Mpa)
Maximum Operating Temperature	500°F (260°C)

PROBE SEALING Element and connector pins hermetically sealed using high integrity glass ceramic seals.

ENCAPSULATION Two part loaded resin with excellent thermal, electrical and mechanical properties.

CONNECTION Interfaces with the Caproco ER Analyzer and most other commercial ER monitoring instrumentation, via a MIL standard 6 pin receptacle.



PROBE LENGTH IS MEASURED FROM INSIDE FACE OF CONNECTOR HEAD TO ELEMENT END

TUBE LOOP RETRACTABLE ER PROBES					
ELEMENT TYPE - TL 4			ELEMENT TYPE - TL 8		
ELEMENT MATERIAL - 1018CS			ELEMENT MATERIAL - 1018CS		
LENGTH		PART NUMBER	LENGTH		PART NUMBER
(INCHES)	(MM)		(INCHES)	(MM)	
15.00	381	93010	15.00	381	93100
16.00	406	93011	16.00	406	93101
17.00	432	93012	17.00	432	93102
18.00	457	93013	18.00	457	93103
19.00	483	93014	19.00	483	93104
20.00	508	93015	20.00	508	93105
21.00	533	93016	21.00	533	93106
22.00	559	93017	22.00	559	93107
23.00	584	93018	23.00	584	93108
24.00	610	93019	24.00	610	93109
25.00	635	93020	25.00	635	93110
26.00	660	93021	26.00	660	93111
27.00	686	93022	27.00	686	93112
28.00	711	93023	28.00	711	93113
29.00	737	93024	29.00	737	93114
30.00	762	93025	30.00	762	93115
31.00	787	93026	31.00	787	93116
32.00	823	93027	32.00	823	93117
33.00	838	93028	33.00	838	93118
34.00	864	93029	34.00	864	93119
35.00	889	93030	35.00	889	93120
36.00	914	93031	36.00	914	93121
37.00	940	93032	37.00	940	93122
38.00	965	93033	38.00	965	93123
39.00	991	93034	39.00	991	93124
40.00	1016	93035	40.00	1016	93125

OPTIONAL FLOW DEFLECTOR P/N 99009