

GENERAL

Caproco offers a range of high quality, high integrity electrical resistance probes which utilize a tubular element configuration to measure the rate of corrosion.

The element is comprised of a thin walled tube, machined from a single length of bar, which overcomes any requirement of welding the element. Resistance readings from the sensing element are relative to a non-corroding reference element sealed within the probe body.

APPLICATION

Three probe designs utilizing elements of varying thickness permit usage in diverse situations, particularly where the probe's robust nature and large surface area is required for sensitive monitoring.

SPECIFICATIONS

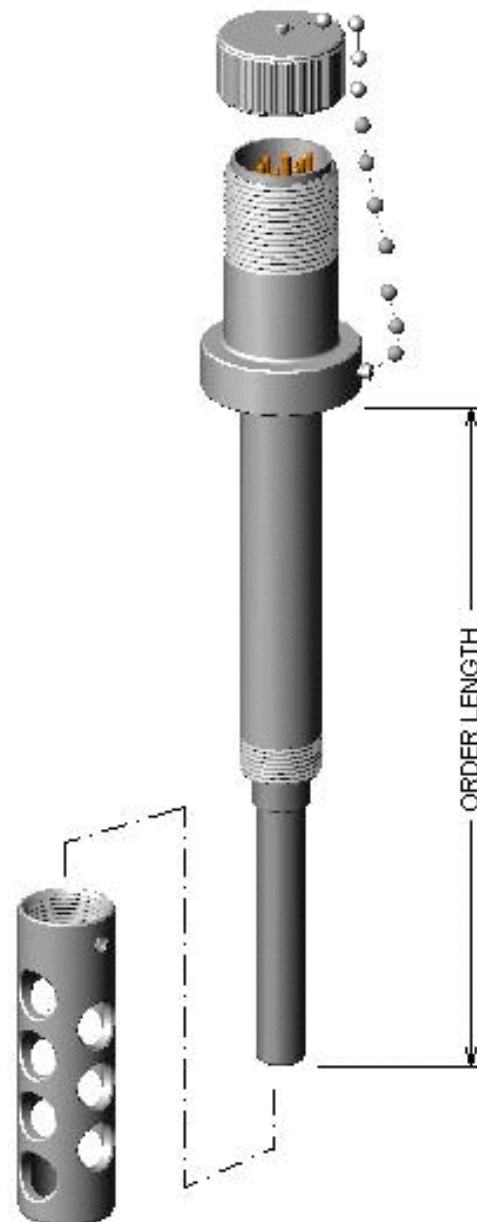
Caproco ER probes are manufactured from 316 stainless steel with an AISI 1018 mild steel element. Probe bodies and elements are available in alternative materials upon request. Standard probes are designed for mounting through a Caproco low pressure stuffing box / access fitting assembly.

Probe Type	T10	T20	T50
Element Length	2" (51 mm)	2" & 4" (51 & 102 mm)	10" (254 mm)
Element Thickness	0.010" (0.25 mm)	0.020" (0.50 mm)	0.050" (1.27 mm)
Maximum Operating Pressure	1,500 psi (10.3 Mpa)		
Maximum Operating Temperature	500°F (260°C)		

PROBE SEALING Element and connector pins hermetically sealed using high integrity glass ceramic seals.

ENCAPSULATION Two part loaded resin with excellent thermal, electrical and mechanical properties.

CONNECTION Interfaces with the Caproco ER Analyzer and most other commercial ER monitoring instrumentation, via a MIL standard 6 pin receptacle.



PROBE LENGTH IS MEASURED FROM INSIDE FACE OF CONNECTOR HEAD TO ELEMENT END

TUBULAR RETRACTABLE ER PROBES				
LENGTH		PART NUMBERS		
(INCHES)	(MM)	T10 (2" / 51MM ELEMENT)	T20 (4" / 102mm Element)	T50 (10" / 254 MM ELEMENT)
18.00	457	90010	90100	
19.00	483	90011	90101	
20.00	508	90012	90102	
21.00	533	90013	90103	
22.00	559	90014	90104	
23.00	584	90015	90105	
24.00	610	90016	90106	90626
25.00	635	90017	90107	90627
26.00	660	90018	90108	90628
27.00	686	90019	90109	90629
28.00	711	90020	90110	90630
29.00	737	90021	90111	90631
30.00	762	90022	90112	90632
31.00	787	90023	90113	90633
32.00	823	90024	90114	90634
33.00	838	90025	90115	90635
34.00	864	90026	90116	90636
35.00	889	90027	90117	90637
36.00	914	90028	90118	90638
37.00	940	90029	90119	90639
38.00	965	90030	90120	90640
39.00	991	90031	90121	90641
40.00	1016	90032	90122	90642
OPTIONAL FLOW DEFLECTOR		99008	99007	99043

T50 PROBE REQUIRES SPECIAL LENGTH LOW PRESSURE ACCESS FITTING ASSEMBLY