

## GENERAL

Caproco offers a range of high quality, high integrity electrical resistance probes which utilize a wire loop element configuration to measure the rate of corrosion.

The element is comprised of a thin solid single length of wire, which overcomes any requirement of welding the element. Resistance readings from the sensing element are relative to a non-corroding reference element sealed within the probe body.

## APPLICATION

The wire loop design is highly sensitive and performs well in locations subject to electrical or system noise. Element thickness offers longer probe life compared to other types. Two sizes of elements are available to suit requirements regarding sensitivity and desired probe life.

## SPECIFICATIONS

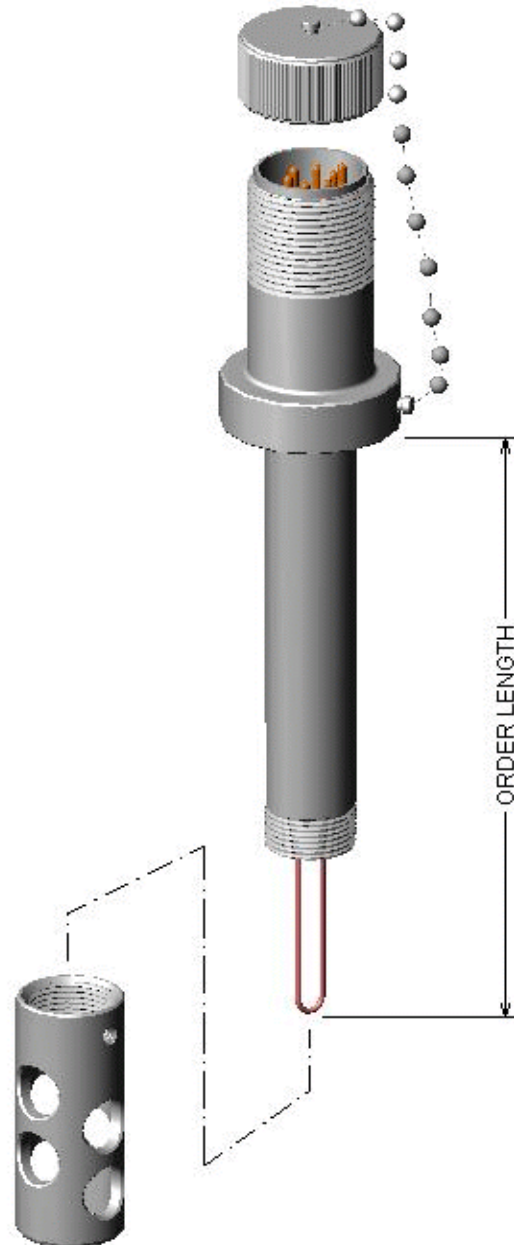
Caproco ER probes are manufactured from 316 stainless steel with an AISI 1018 mild steel element. Probe bodies and elements are available in alternative materials upon request. Standard probes are designed for mounting through a Caproco low pressure stuffing box / access fitting assembly.

Element Length	1.25" (32 mm)
Element Thickness	W40 0.040" (1 mm) W80 0.080" (2 mm)
Maximum Operating Pressure	1,500 psi (10.3 MPa)
Maximum Operating Temperature	500°F (260°C)

**PROBE SEALING** Element and connector pins hermetically sealed using high integrity glass ceramic seals.

**ENCAPSULATION** Two part loaded resin with excellent thermal, electrical and mechanical properties.

**CONNECTION** Interfaces with the Caproco ER Analyzer and most other commercial ER monitoring instrumentation, via a MIL standard 6 pin receptacle.



**PROBE LENGTH IS MEASURED FROM INSIDE FACE OF CONNECTOR HEAD TO ELEMENT END**

<b>WIRE LOOP RETRACTABLE ER PROBES</b>		
<b>ELEMENT TYPE - W40</b>		
<b>LENGTH</b>		<b>PART NUMBER</b>
<b>(INCHES)</b>	<b>(MM)</b>	
18.00	457	91010
19.00	483	91011
20.00	508	91012
21.00	533	91013
22.00	559	91014
23.00	584	91015
24.00	610	91016
25.00	635	91017
26.00	660	91018
27.00	686	91019
28.00	711	91020
29.00	737	91021
30.00	762	91022
31.00	787	91023
32.00	823	91024
33.00	838	91025
34.00	864	91026
35.00	889	91027
36.00	914	91028
37.00	940	91029
38.00	965	91030
39.00	991	91031
40.00	1016	91032

**OPTIONAL FLOW DEFLECTOR P/N 99009**

**W80 PROBES ARE AVAILABLE IN THE SAME SIZING AS W40**