

Retrievable Linear Polarization Resistance (LPR) Probe 2 Element

GENERAL

Caproco offers a range of high quality, high integrity linear polarization probes which utilize a 2 projecting element configuration to measure the rate of corrosion.

LPR Probes provide the user with a direct, instantaneous measurement of the corrosion rate based on the linear polarization resistance technique. A qualitative pitting tendency can also be obtained for the metal and the electrolyte being studied. LPR probe elements are replaceable once they have corroded past their useful life.

APPLICATION

The Caproco Linear Polarization Resistance probe offers the advantage of fast response to changes in corrosive conditions that exist in the system being monitored. This rapid response allows the operator to evaluate the process changes and inhibition program, and make necessary adjustments.

SPECIFICATIONS

Caproco LPR probes are manufactured from 316 stainless steel with standard AISI 1018 mild steel elements. Probe bodies and elements are available in alternative materials upon request. Standard probes are designed for mounting through a Caproco Hollow Plug assembly.

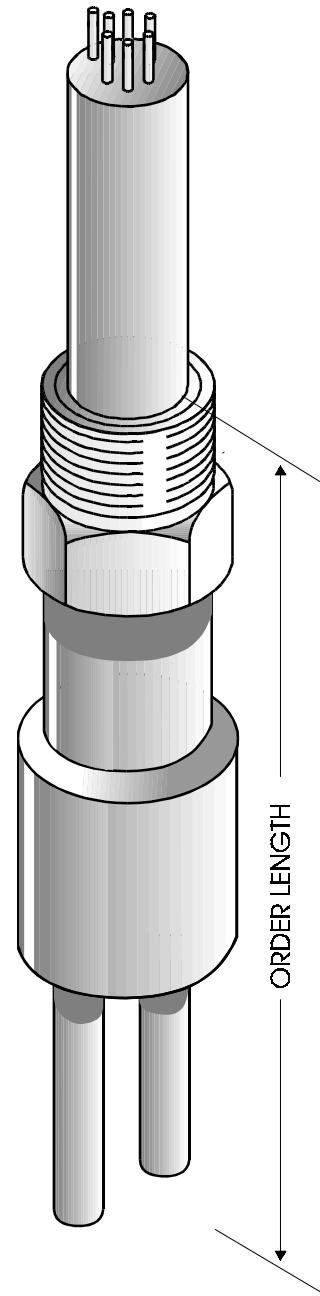
Element Length	1.5" x 0.25" (38mm x 6mm)
Maximum Operating Pressure	3,600 / 6,000 psi (24.8 / 41.4 MPa)
Maximum Operating Temperature	500°F (260°C)

PROBE SEALING Element and connector pins hermetically sealed using high integrity glass ceramic seals.

ENCAPSULATION Two part loaded resin with excellent thermal, electrical and mechanical properties.

CONNECTION

Interfaces with the Caproco LPR Analyzer and most other commercial LPR monitoring instrumentation, via a MIL standard 6 pin receptacle.



PROBE LENGTH IS MEASURED FROM SEALING FACE OF PROBE BODY THREADS TO ELEMENT END

PROJECTING 2 ELEMENT RETRIEVABLE LPR PROBES								
LENGTH		PART NUMBER	LENGTH		PART NUMBER	LENGTH		PART NUMBER
(INCHES)	(MM)		(INCHES)	(MM)		(INCHES)	(MM)	
3.250	83	63230	7.000	178	63260	10.750	273	63290
3.375	86	63231	7.125	181	63261	10.875	276	63291
3.500	89	63232	7.250	184	63262	11.000	279	63292
3.625	92	63233	7.375	187	63263	11.125	283	63293
3.750	95	63234	7.500	191	63264	11.250	286	63294
3.875	98	63235	7.625	194	63265	11.375	289	63295
4.000	102	63236	7.750	197	63266	11.500	292	63296
4.125	105	63237	7.875	200	63267	11.625	295	63297
4.250	108	63238	8.000	203	63268	11.750	298	63298
4.375	111	63239	8.125	206	63269	11.875	302	63299
4.500	114	63240	8.250	210	63270	12.000	305	63300
4.625	117	63241	8.375	213	63271	12.125	308	63301
4.750	121	63242	8.500	216	63272	12.250	311	63302
4.875	124	63243	8.625	219	63273	12.375	314	63303
5.000	127	63244	8.750	222	63274	12.500	318	63304
5.125	130	63245	8.875	225	63275	12.625	321	63305
5.250	133	63246	9.000	229	63276	12.750	324	63306
5.375	137	63247	9.125	232	63277	12.875	327	63307
5.500	140	63248	9.250	235	63278	13.000	330	63308
5.625	143	63249	9.375	238	63279	13.125	333	63309
5.750	146	63250	9.500	241	63280	13.250	337	63310
5.875	149	63251	9.625	244	63281	13.375	340	63311
6.000	152	63252	9.750	248	63282	13.500	343	63312
6.125	156	63253	9.875	251	63283	13.625	346	63313
6.250	159	63254	10.000	254	63284	13.750	349	63314
6.375	162	63255	10.125	257	63285	13.875	352	63315
6.500	165	63256	10.250	260	63286	14.000	356	63316
6.625	168	63257	10.375	264	63287	14.125	359	63317
6.750	171	63258	10.500	267	63288	14.250	362	63318
6.875	175	63259	10.625	270	63289	14.375	365	63319

STANDARD CARBON STEEL REPLACEMENT ELEMENTS (SET OF 2) PART NUMBER 63895