

GENERAL

Caproco offers a range of high quality, high integrity linear polarization probes which utilize a 3 projecting element configuration to measure the rate of corrosion.

LPR Probes provide the user with a direct, instantaneous measurement of the corrosion rate based on the linear polarization resistance technique. A qualitative pitting tendency can also be obtained for the metal and the electrolyte being studied. LPR probe elements are replaceable once they have corroded past their useful life.

APPLICATION

The Caproco Linear Polarization Resistance probe offers the advantage of fast response to changes in corrosive conditions that exist in the system being monitored. This rapid response allows the operator to evaluate the process changes and inhibition program, and make necessary adjustments.

SPECIFICATIONS

Caproco LPR probes are manufactured from 316 stainless steel with standard AISI 1018 mild steel elements. Probe bodies and elements are available in alternative materials upon request. Standard probes are designed for mounting through a Caproco Hollow Plug assembly.

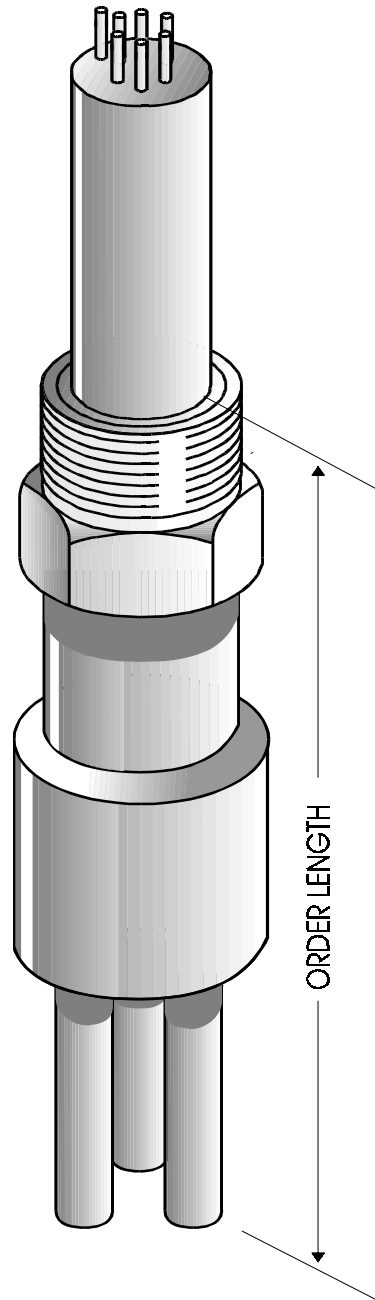
Element Length	1.5" x 0.25" (38mm x 6mm)
Maximum Operating Pressure	3,600 / 6,000 psi (24.8 / 41.4 MPa)
Maximum Operating Temperature	500°F (260°C)

PROBE SEALING Element and connector pins hermetically sealed using high integrity glass ceramic seals.

ENCAPSULATION Two part loaded resin with excellent thermal, electrical and mechanical properties.

CONNECTION

Interfaces with the Caproco LPR Analyzer and most other commercial LPR monitoring instrumentation, via a MIL standard 6 pin receptacle.



PROBE LENGTH IS MEASURED FROM SEALING FACE OF PROBE BODY THREADS TO ELEMENT END

PROJECTING 3 ELEMENT RETRIEVABLE LPR PROBES								
LENGTH		PART NUMBER	LENGTH		PART NUMBER	LENGTH		PART NUMBER
(INCHES)	(MM)		(INCHES)	(MM)		(INCHES)	(MM)	
3.250	83	63504	7.000	178	63534	10.750	273	63564
3.375	86	63505	7.125	181	63535	10.875	276	63565
3.500	89	63506	7.250	184	63536	11.000	279	63566
3.625	92	63507	7.375	187	63537	11.125	283	63567
3.750	95	63508	7.500	191	63538	11.250	286	63568
3.875	98	63509	7.625	194	63539	11.375	289	63569
4.000	102	63510	7.750	197	63540	11.500	292	63570
4.125	105	63511	7.875	200	63541	11.625	295	63571
4.250	108	63512	8.000	203	63542	11.750	298	63572
4.375	111	63513	8.125	206	63543	11.875	302	63573
4.500	114	63514	8.250	210	63544	12.000	305	63574
4.625	117	63515	8.375	213	63545	12.125	308	63575
4.750	121	63516	8.500	216	63546	12.250	311	63576
4.875	124	63517	8.625	219	63547	12.375	314	63577
5.000	127	63518	8.750	222	63548	12.500	318	63578
5.125	130	63519	8.875	225	63549	12.625	321	63579
5.250	133	63520	9.000	229	63550	12.750	324	63580
5.375	137	63521	9.125	232	63551	12.875	327	63581
5.500	140	63522	9.250	235	63552	13.000	330	63582
5.625	143	63523	9.375	238	63553	13.125	333	63583
5.750	146	63524	9.500	241	63554	13.250	337	63584
5.875	149	63525	9.625	244	63555	13.375	340	63585
6.000	152	63526	9.750	248	63556	13.500	343	63586
6.125	156	63527	9.875	251	63557	13.625	346	63587
6.250	159	63528	10.000	254	63558	13.750	349	63588
6.375	162	63529	10.125	257	63559	13.875	352	63589
6.500	165	63530	10.250	260	63560	14.000	356	63590
6.625	168	63531	10.375	264	63561	14.125	359	63591
6.750	171	63532	10.500	267	63562	14.250	362	63592
6.875	175	63533	10.625	270	63563	14.375	365	63593

STANDARD CARBON STEEL REPLACEMENT ELEMENTS (SET OF 3) PART NUMBER 63026