

GENERAL

Caproco offers a variety of special-purpose accessories to be used with the retrieval and service tools. These accessories are not included with the standard retriever, retractor or hot tap kits, but rather should be ordered individually based on the specific needs in the field.

HYDROSTATIC TEST ASSEMBLY

The hydrostatic test assembly is designed to facilitate the pressure testing of a newly-installed access fitting welded onto a pipe or vessel wall, prior to hot tapping or drilling operations. The test plug is a specially-designed plug, which seals the bore of the fitting. The hydrostatic test assembly is capable of pressure testing access fittings oriented on the top, middle or bottom of a line/vessel.

DESCRIPTION	MATERIAL	PART NUMBER
Hydrostatic Test Assembly	316 LSS	11675

CHIP REMOVER

After the pipe wall has been drilled through and the hot tap machine has been removed from the access fitting, there will be metal cuttings left in the access fitting bore. It is critical to remove these cuttings before attempting to install a plug into the fitting; failure to do so will result in thread galling and possible damage to both the access fitting and plug assembly. By attaching the chip remover assembly to the retriever and inserting it into the access fitting, the chip remover magnets will pick up any cuttings. It is recommended to repeat the cleaning procedure with horizontal and bottom-of-line locations, and follow with the magnetic swab assembly.

DESCRIPTION	MATERIAL	PART NUMBER
Chip Remover Assembly	Stainless/Carbon/Aluminum	11677

MAGNETIC SWAB

The magnetic swab assembly is used to clean the internal bore and threads of the access fitting. The swab should be used every time a horizontal or bottom-of-line location is serviced, or after a hot tap has been performed. The assembly consists of magnets and stiff metal brushes designed to dislodge and collect foreign matter, and is used as an attachment on the retriever.

DESCRIPTION	MATERIAL	PART NUMBER
Magnetic Swab Assembly	Stainless Steel	11676

THREAD CHASER

A thread chaser should be used when an access fitting is suspected to have damaged internal threads, or in locations (such as bottom of line) which can have deeply-imbedded material from within the threads (that the magnetic swab cannot remove). Cutting oil should be applied to ensure a clean pass/cut. The thread chaser attaches to the pilot of the retriever.

DESCRIPTION	MATERIAL	PART NUMBER
Thread Chaser	HSS	11533

SEAT REAMER

Caproco access fittings have an internal seat (where the bore narrows), which facilitates a seal with the primary packing of a solid/hollow plug. Foreign matter and corrosion deposits can accumulate on the seat, making it difficult to achieve a good seal with the plug. The seat reamer is used to true and clean this internal seat. All fittings should be cleaned periodically, particularly with "dirty" or harsh service conditions and for horizontal and bottom-of-line locations.

DESCRIPTION	MATERIAL	PART NUMBER
Seat Reamer	HSS	11740

SURGE TUBE ASSEMBLY

The surge tube assembly is used to clear sand and debris from access fittings located at bottom-of-line and is also used for clearing hot tap cuttings. The use of the surge tube requires venting product from the pipe or vessel.

DESCRIPTION	MATERIAL	PART NUMBER
Surge Tube Assembly	316 LSS	11613

BACK PRESSURE PUMP

A back pressure pump is used when the retriever tool cannot be pressurized through the solid or hollow plug, due to a blockage in the plug's bleed holes. The pump is helpful when servicing bottom of line locations, to minimize the amount of foreign material entering the retrieval equipment. It is recommended to use the back pressure pump when working at the upper range of the pressure limitation (3,600 psi), particularly when stainless steel access fittings are installed.

Before the retriever becomes pressure-balanced with the line pressure, there is a great deal of friction on the lower portion of the access fitting threads, which increases the effort required to turn the plug. Back pressuring the retriever to equal the line pressure helps to remove this friction and can avoid problems such as thread galling and other damage.

The back pressure pump is usually used in conjunction with the diverter hose assembly.

DESCRIPTION	MATERIAL	PART NUMBER
Back Pressure Pump	Carbon Steel	11673

DIVERTER HOSE ASSEMBLY

A diverter hose is often used when depressurizing the retriever tool. When installation of the monitoring equipment is complete and it is time to bleed the pressure from the tool, a diverter hose is attached with a quick-coupler to the retriever bleed valve, and is extended downwind. Any gas in the tool will be safely purged safely away from the operator. The hose can be attached to a container in order to capture any discharged liquids.

DESCRIPTION	MATERIAL	PART NUMBER
Diverter Hose Assembly	Reinforced Rubber	11612

OVERSHOT ADAPTOR

The overshot adaptor has two primary uses:

1. To install and remove ER and other electronic probes. The overshot adaptor allows the operator to install the pipe plug in the top of the hollow plug body, sealing the pin connector of the probe from the system's corrosive liquids. The overshot adaptor fits over the top of the hollow plug assembly and allows the retriever pilot to connect as normal.

2. To remove a solid/hollow plug with damage either to its internal threads (where the retriever pilot normally connects) or to the external hex. The overshot adaptor connects to the pilot of the retriever.

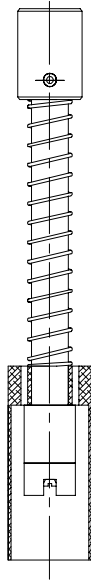
DESCRIPTION	MATERIAL	PART NUMBER
Overshot Adaptor	316 LSS	11534

FISHING TOOL

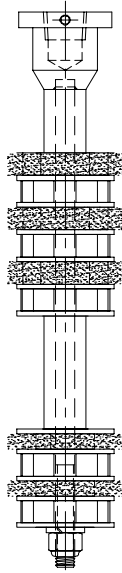
The coupon holder fishing tool is designed to recover a coupon holder that has become disconnected from the solid plug. Caproco coupon holders are designed so that they cannot pass the internal bore of the access fitting; if they detach from the solid plug, they will rest on the access fitting seat. The fishing tool connects to the retriever pilot, and the other end has modified threads that allow it to screw into the holder end.

DESCRIPTION	MATERIAL	PART NUMBER
Coupon Holder Fishing Tool	Carbon Steel	47125

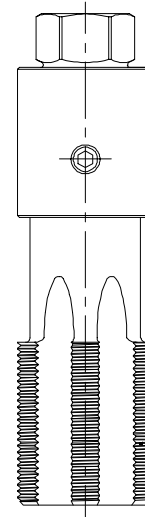
Service Tool Accessories



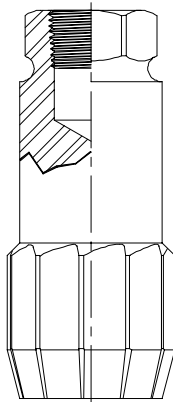
Chip Remover



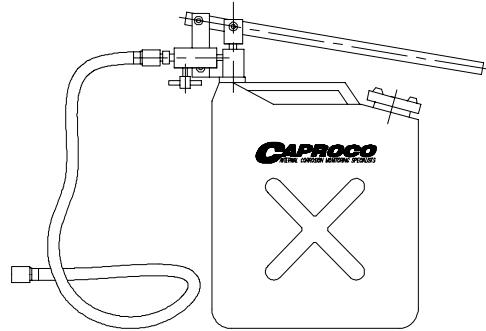
Magnetic Swab



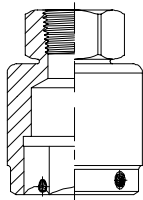
Thread Chaser



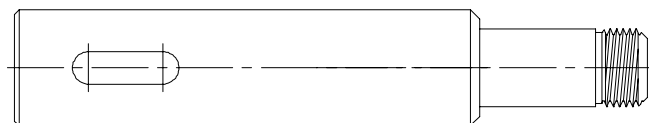
Seat Reamer



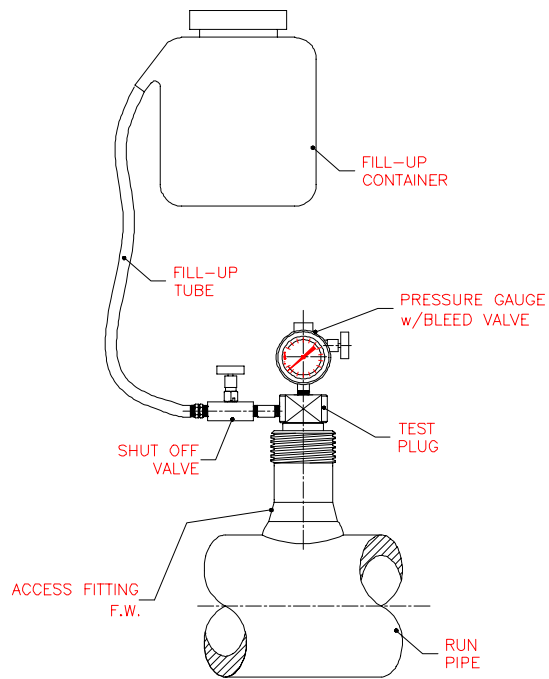
Back Pressure
Pump &
Diverter Hose



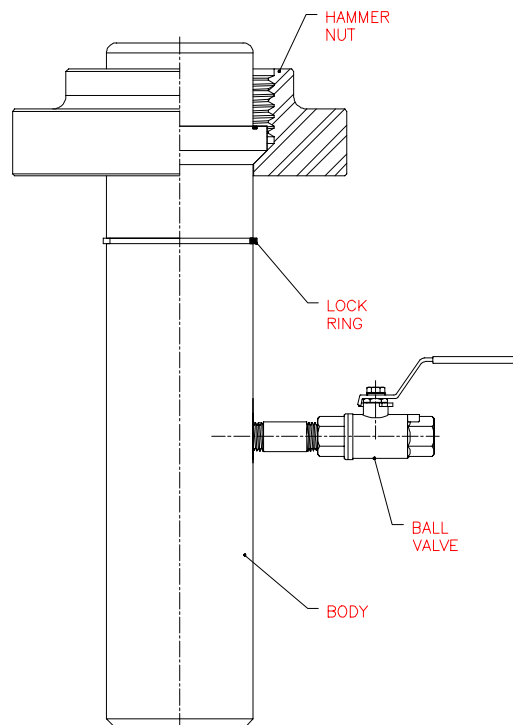
Overshot Adaptor



Fishing Tool



Hydrostatic Test Assembly



Surge Tube Assembly